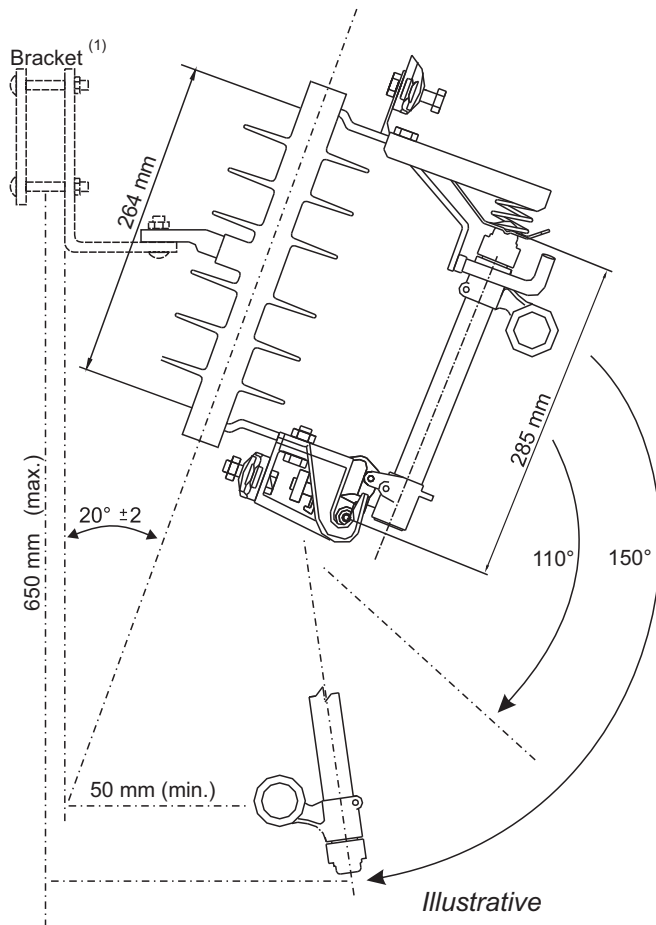


Type IBC - Polymer

300A 15kV

Standards

- NBR 8124 (PB 995)
- IEC 060282-2
- ANSI C37-41
- Contact us about other standards and currents.



Fuse Holder	Connectors	Contacts
Manufactured with fiberglass epoxy tube lined with vulcanized fiber	Tin Plated Bronze (SAE 40)	Silver Plated Bronze (SAE 40)
	Conductors range from 10 to 120 mm ²	Silver Plated Copper
Hardwares	Insulator	Springs
Stainless Steel 304	Special Silicone Rubber	Stainless Steel
Hot dip galvanized Steel		

Packaging

Individual

01 unit cardboard box

Collective

Pallet or crate

Rated Voltage	Rated Current	BIL	Creepage Distance	Fuse Holder	Weight with Fuse Holder	Interrupting Capacity		Code
						Symmetrical	Asymmetrical	
15 kV	300 A	110 kV	360 mm	100 A	3,850 kg	7,1 kA	10,0 kA	CFP15PF100CI10
						10,6 kA ⁽²⁾	16,0 kA ⁽²⁾	CFP15PF100CI16 ⁽²⁾
				200 A	4,100 kg	7,1 kA	10,0 kA	CFP15PF200CI10
						8,0 kA ⁽²⁾	12,0 kA ⁽²⁾	CFP15PF200CI12 ⁽²⁾

(1) Optional bracket

(2) Arc Shortening Rod