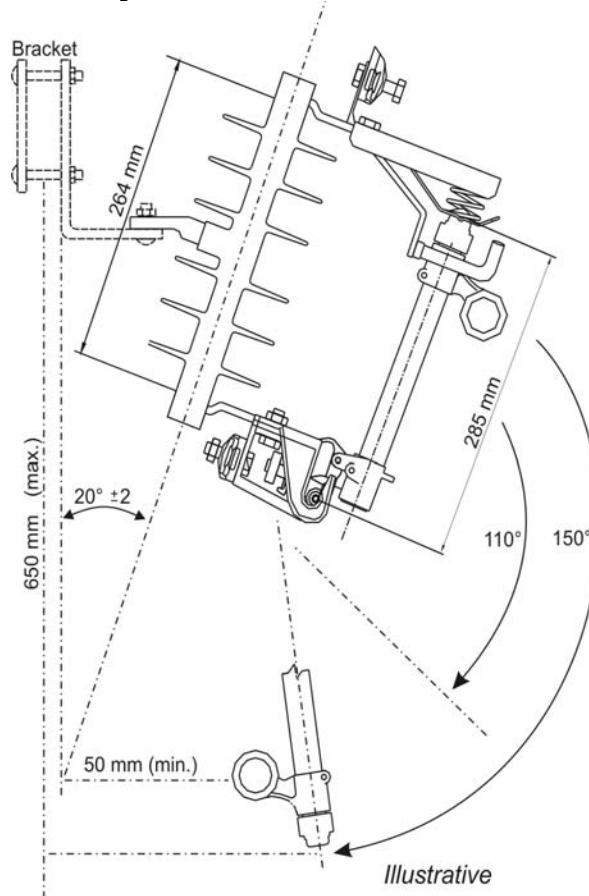


Polymer Cut-out Fuse 15kV



1. Material	Polymer Cut-out Fuse for electric energy protection
2. Standards	NBR 8124 (PB 995); IEC 060282-2; ANSI C37.41
3. Condition of service	Maximum ambient temperature: 45 C° Altitude of work: 1000 m
4. Rated Voltage	15 kV
5. Rated Current	300 A
6. Rated current Fuse Holder	100 A
7. Interrupting capacity symmetrical	7,1 kA
8. Interrupting capacity asymmetrical	10 kA
9. Frequency	50/60 Hz
10. BIL	110kV
11. Color of the Insulator	Gray
12. Material of Insulator	Silicone Rubber
13. Creepage distance	360 mm
14. External diameter of Fuse Holder	25,4 mm
15. Internal diameter of Fuse Holder	12,7 mm
16. Material of contacts	Silver plated copper
17. Maximum ohms resistance of the contacts	200 μΩ
18. Material of connectors	Silver plated bronze (SAE 40)