

COMPRESSION TERMINAL CONNECTOR LUG

Manufactured for one or two fixing compressions and lug with one or two holes.

Practicality, facility and speed during the installation process.

STRETCH MARKS
Better electrical contact.

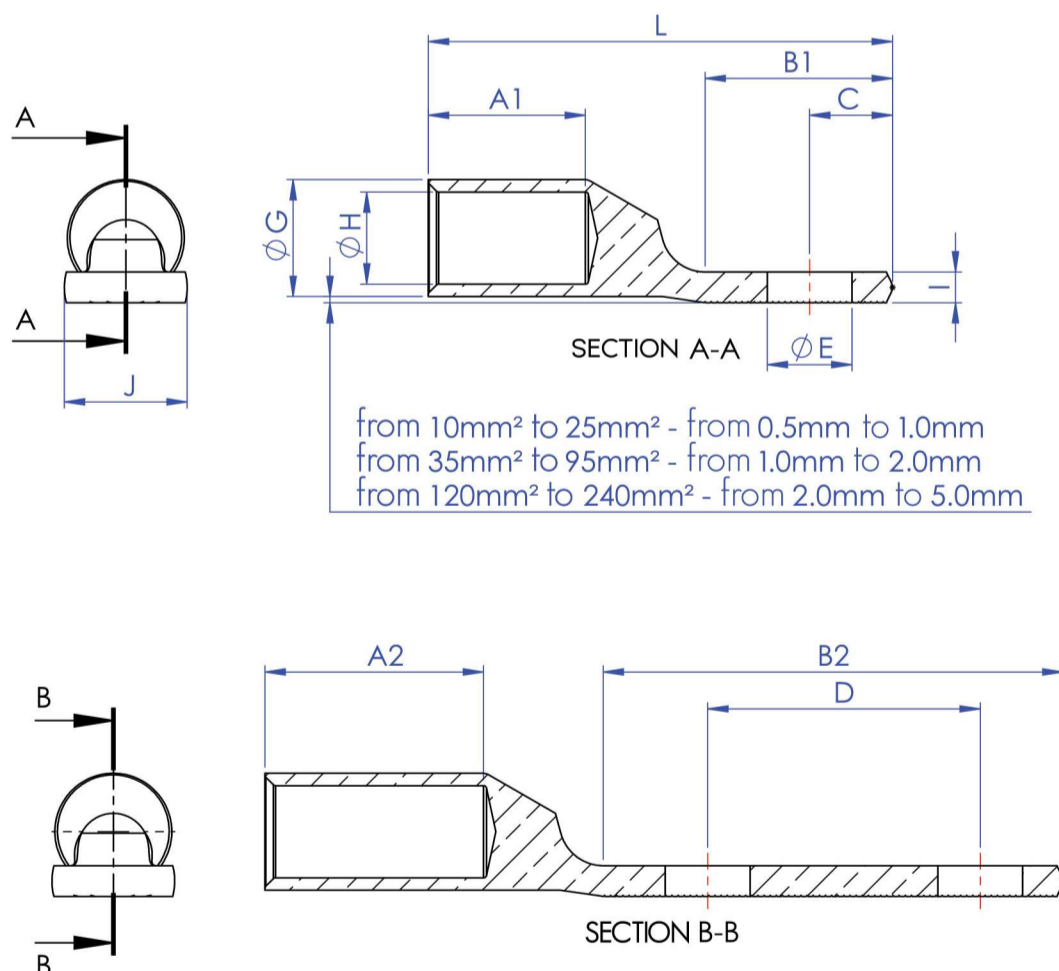
This is a product used by installers to connect cables in several electrical contacts; electrical panels in general, cable splices, etc.

MAIN BENEFITS

- It can be applied in copper cable from 10mm² to 240mm²;
- Cold forming process in tinned electrolytic copper;
- Conductivity improvement;
- Corrosion resistant.



Security products, produced with seriousness.



A1 - 1 COMPRESSION
A2 - 2 COMPRESSIONS

B1 - 1 HOLE
B2 - 2 HOLES

SECTION	A1 ± 0.50	A2 ± 0.50	B1 ± 0.50	B2 ± 0.50	C ± 0.50	D ± 0.50	E ± 0.20	G ± 0.10	H ± 0.20	I ± 0.50	J ± 1.00	L ± 2.00 (A1 B1)	L ± 2.00 (A1 B2)	L ± 2.00 (A2 B1)	L ± 2.00 (A2 B2)
10mm ²	8.00	16.00	12.00	26.00	5.00	14.00	5.50	6.00	4.50	1.50	8.00	25.00	39.00	33.00	47.00
16mm ²	10.00	20.00	13.50	29.50	6.00	16.00	5.50	7.93	5.50	2.00	10.00	29.00	45.00	39.00	55.00
25mm ²	11.00	22.00	16.50	32.50	6.00	16.00	6.50	9.52	7.00	2.00	11.00	37.00	53.00	48.00	64.00
35mm ²	12.00	24.00	18.00	37.00	8.00	19.00	8.50	11.10	8.50	2.50	13.00	39.00	58.00	51.00	70.00
50mm ²	16.00	26.00	19.60	42.00	9.00	22.20	10.50	12.70	9.90	3.50	15.00	48.00	70.00	58.00	80.00
70mm ²	16.00	28.00	22.60	67.00	10.00	44.40	10.50	14.28	11.50	4.00	15.00	54.00	98.00	64.00	110.00
95mm ²	18.00	28.00	22.60	67.00	10.00	44.40	10.50	17.46	13.50	5.00	18.00	60.00	104.00	70.00	114.00
120mm ²	26.00	36.00	28.60	73.00	13.50	44.40	13.60	19.05	15.00	5.00	20.00	67.00	111.00	77.00	121.00
150mm ²	26.00	38.00	28.60	73.00	13.50	44.40	13.60	22.23	17.50	6.00	23.00	76.00	120.00	88.00	132.00
185mm ²	26.00	38.00	28.60	73.00	13.50	44.40	13.60	23.81	18.50	7.00	25.00	80.00	124.00	92.00	136.00
240mm ²	29.00	43.00	35.60	80.00	17.00	44.40	13.60	27.10	21.30	8.00	29.00	97.00	141.00	111.00	155.00